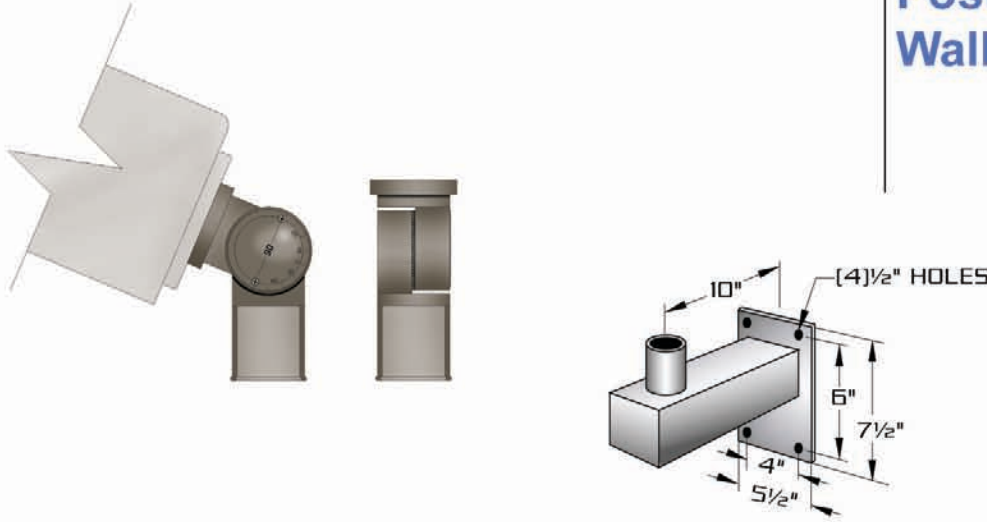


Adjustable Knuckle Assembly

APPLICATION

Post Mounts
Wall Mounts



Ordering Specifications:

| | | | | | | |
|-----------------|----------------|----------------|------------|-----------------------------|--------------------------|-----------------------------|
| n/a | n/a | n/a | n/a | adj. knuckle | | n/a |
| Series | induction | Watts / Lumens | Voltage | Mounting | Finish | Options |
| Type of Fixture | Watts / Lumens | | | PM - Pole Mount (6' or 10') | BZ - Bronze ¹ | PC - Photocell ³ |
| | 40w | | 120 - 120V | YM - Yoke Mount | BL - Black | VS - Visor |
| | 70w | | 208 - 208V | SF - Slip Fitter | WH - White | GS - Glare Shield |
| | 100w | | 220 - 220V | | CU - Custom ² | WG - Wire Guard |
| | 150w | | 240 - 240V | | | MS - Motion Sensor |
| | | | 277 - 277V | | | |

ADG ECO INDUCTION LIGHT SYSTEMS MUST FOLLOW THESE SPECIFICATIONS:

- AMERICAN MADE LIGHT FIXTURE
- ENERGY STAR PARTNER
- 10 YEAR LIMITED WARRANTY
- 100,000 HR. BULB LIFE
- 100-277v 80-85 CRI
- AVAILABLE THROUGH ADG ECO AUTHORIZED RESELLER OR FACTORY
- FIXTURES ETL WET LISTED
- UL COMPLIANT ELECTRONICS
- PROVIDE HIGH QUALITY LIGHT DISTRIBUTION
- FIXTURES MUST COMPLY WITH THE FOLLOWING...

