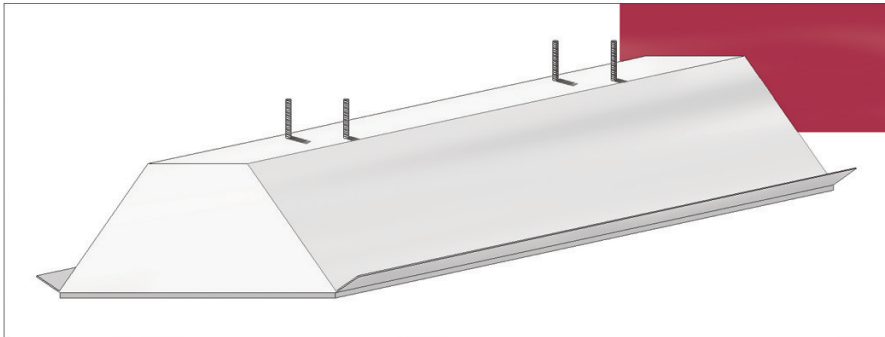


STADIUM LIGHT FIXTURE

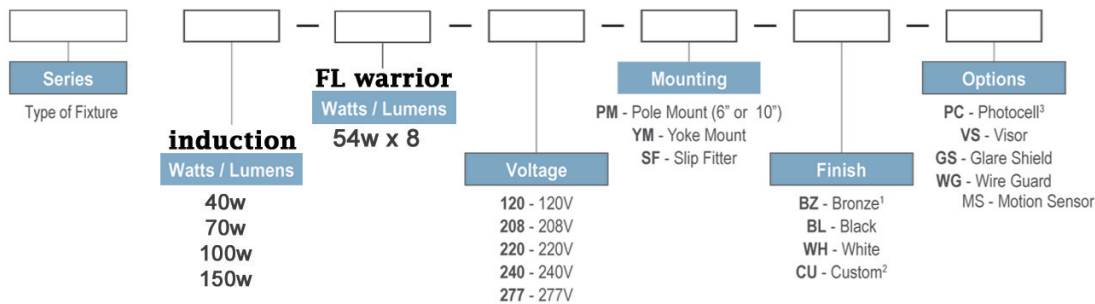
APPLICATION

- Warehouse
- Stadiums
- Factory
- Commercial Building



NOTE: This fixture can be ordered with FL Warrior lamping of 2-3 Induction lamps
 - Light distance thrown w/ 8 FL Warrior lamps : 115 ft.
 - Bracket matches industry standard arm mounting
 - Multi-circuit, ETL Wet

Ordering Specifications:



ADG ECO INDUCTION LIGHT SYSTEMS MUST FOLLOW THESE SPECIFICATIONS:

- AMERICAN MADE LIGHT FIXTURE
- ENERGY STAR PARTNER
- 10 YEAR LIMITED WARRANTY
- 100,000 HR. BULB LIFE
- 100-277v 80-85 CRI
- AVAILABLE THROUGH ADG ECO AUTHORIZED RESELLER OR FACTORY
- FIXTURES ETL WET LISTED
- UL COMPLIANT ELECTRONICS
- PROVIDE HIGH QUALITY LIGHT DISTRIBUTION
- FIXTURES MUST COMPLY WITH THE FOLLOWING...

